



## PAINT DRYING AIR BLOW GUN

MODEL NO: CAT221

PART NO: 3120531

### USER & MAINTENANCE INSTRUCTIONS

ORIGINAL INSTRUCTIONS

GC0824 - Rev 1

---

## INTRODUCTION

---

Thank you for purchasing this CLARKE Blow Gun. This ergonomic and lightweight air operated paint dryer, with an adjustable air regulator at the handle's base, is ideal for rapid drying of water based paint for a professional finish.

Before attempting to use this product, please read this manual thoroughly and follow the instructions carefully. In doing so you will ensure the safety of yourself and that of others around you, and you can look forward to your purchase giving you long and satisfactory service.

**Please keep these instructions in a safe place for future reference.**

---

## SPECIFICATION

---

Dimensions (L x W x H)	117 x 73 x 220 mm
Weight	236 g
Max Operating Pressure	90 psi (6.2 bar)
Air Consumption	7 cfm@ 40 psi to 15 cfm@ 90 psi
Air Inlet Size	1/4" BSP Female

---

## GUARANTEE

---

This product is guaranteed against faulty manufacture for a period of 12 months from the date of purchase. Please keep your receipt which will be required as proof of purchase.

This guarantee is invalid if the product is found to have been abused or tampered with in any way, or not used for the purpose for which it was intended.

Faulty goods should be returned to their place of purchase, no product can be returned to us without prior permission.

This guarantee does not affect your statutory rights.

## COMPRESSED AIR REQUIREMENTS



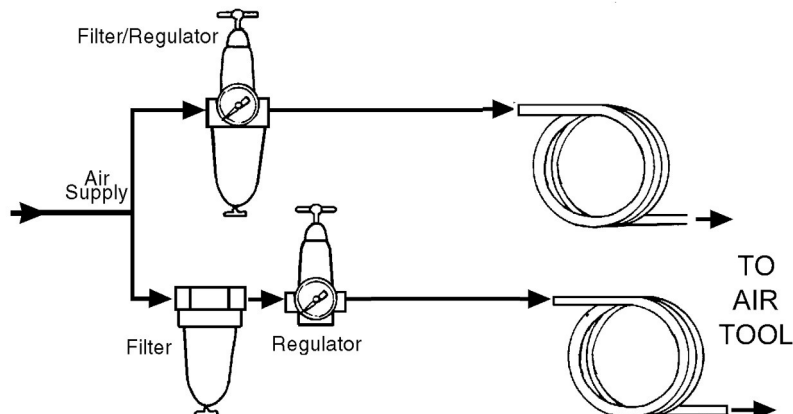
**WARNING: COMPRESSED AIR CAN BE DANGEROUS. ENSURE THAT YOU ARE FAMILIAR WITH ALL PRECAUTIONS RELATING TO THE USE OF COMPRESSORS AND COMPRESSED AIR SUPPLY.**

Use only clean, dry, regulated compressed air as a power source.

A build-up of moisture or oil in the air compressor will accelerate wear and corrosion in any air powered tool. Ensure any moisture is drained from the compressor daily and the inlet filter is kept clean.

If an unusually long air hose is required, (over 8 metres), the line pressure or the hose inside diameter may need to be increased.

The air hose must be rated at least 150% of the maximum operating pressure of the air tool being used.



A typical air line layout is shown above. If an automatic in-line filter/regulator is used, it will keep air tools in good condition but should be regularly checked for cleanliness.

**This Paint Drying blow gun must only be used with oil-free compressed air.**

For optimum performance it is recommended that a 3/8" ID hose is used.

**DO NOT** exceed the maximum operating pressure for the tool. It is recommended that air pressure to this tool does not exceed 90 psi (6.2 bar) at the tool. Higher pressure and dirty air will shorten the life of the air tools due to faster wear and is a possible safety hazard.

---

## GENERAL SAFETY RULES

---



CAUTION: FAILURE TO FOLLOW THESE PRECAUTIONS COULD RESULT IN PERSONAL INJURY AND/OR DAMAGE TO PROPERTY.

---

### WORK ENVIRONMENT

1. Keep the work area clean and tidy.
2. Dress appropriately - **DO NOT** wear loose clothing or jewellery. Tie long hair out of the way.
3. Keep children and visitors away - **DO NOT** let children handle the blow gun.
4. **DO NOT** operate the blow gun where there are flammable liquids or gases.

### USE OF AIR POWERED TOOLS

1. Stay alert and use common sense - do not operate this blow gun when you are tired or under the influence of alcohol, drugs or medication.
2. **ALWAYS wear eye protectors when using the blow gun. Eye protectors must provide protection from flying particles from the front and the side.**
3. **DO NOT** use the blow gun when other persons or animals are nearby or may be hit by flying debris caused by the blow gun.
4. **DO NOT** overreach - Keep proper footing and balance at all times.
5. **DO NOT** use oxygen, CO<sub>2</sub>, combustible gasses or any type of bottled gas as a source of power.
6. **DO NOT** connect the air supply hose with your finger on the trigger.
7. **DO NOT** exceed the maximum pressure for the blow gun of 90 psi / 6.2 bar.
8. Keep the air supply hose away from heat, oil and sharp edges.
9. **DO NOT** fit the blow gun to any stand or clamping device that may damage it.
10. Check air hoses for leaks or worn condition before use and ensure that all connections are secure.
11. **DO NOT** use for any purpose than that described in this manual.
12. **DO NOT** discharge this blow gun at any persons or animals.
13. **DO NOT** point directly at a person's skin or at a fire.
14. **DO NOT** carry out any alterations or modifications to the blow gun.

15. **ALWAYS** disconnect from the air supply when performing any maintenance.
16. **DO NOT** use a blow gun if it is defective or operating abnormally.
17. **ALWAYS** maintain the blow gun with care. Keep it clean for the best and safest performance.
18. **DO NOT** carry the blow gun by the air hose.
19. When not in use the blow gun must be disconnected from the air supply and stored in a dry place out of the reach of children.

---

## BEFORE USE

---

### CONNECTING THE AIRLINE

Ensure the air supply is isolated from the airline at a shut-off valve.

**NOTE:** This blow gun leaves the factory with a separate air regulator included in the package.

1. Mount the air regulator to the tool air inlet. PTFE sealant tape should be used on the male threads of the regulator for an airtight connection.
2. Connect a suitable air hose both to the air regulator of the tool and to the air compressor. Make sure that there is no air leakage detected in the connection.
3. Start your air compressor. Turn on the air supply and check for air leaks. Rectify any found before proceeding. The air compressor regulator should be set between 40 PSI to 90 PSI, depending on the pressure required for the task.
4. Your blow gun is now ready for use.
5. Adjust the air regulator to the required airflow before starting work. Gradually rotate the outer sleeve of the regulator clockwise for more air flow and counterclockwise for less air flow. Stop the air flow by rotating fully counterclockwise.
6. Hold the blow gun toward the workpiece with the appropriate distance being maintained. Move the dryer continuously over the workpiece in an even and circular motion till your task has been completed.
7. Rotate the outer sleeve of the air regulator of tool counterclockwise fully to stop the air flow.



---

## **DISCONNECTING THE AIR SUPPLY**

1. **DO NOT** disconnect the air hose until the supply is isolated at a shut-off valve.
2. Once the pressure has been isolated, disconnect the air supply hose from the blow gun.
3. Shut down the compressor at the end of the work session.

---

## **MAINTENANCE**

---



**WARNING: MAKE SURE THAT THE BLOW GUN IS DISCONNECTED FROM THE AIR SUPPLY BEFORE STARTING ANY CLEANING OR MAINTENANCE PROCEDURES.**

---

1. Before use, drain any condensate from the airline filter and compressor.
2. Clean thoroughly after use removing any trapped particles from the filter screen.

## **PERFORMANCE**

Please note that factors other than the blow gun may affect its operation and efficiency such as reduced compressor output, excessive drain on the airline, moisture or restrictions in the air-line, or the use of connectors of improper size or poor condition which will reduce air supply.

Your blow gun has been designed to give long and trouble free service. If, however, having followed the instructions in this booklet carefully, you encounter problems, take the item to your local CLARKE dealer.

---

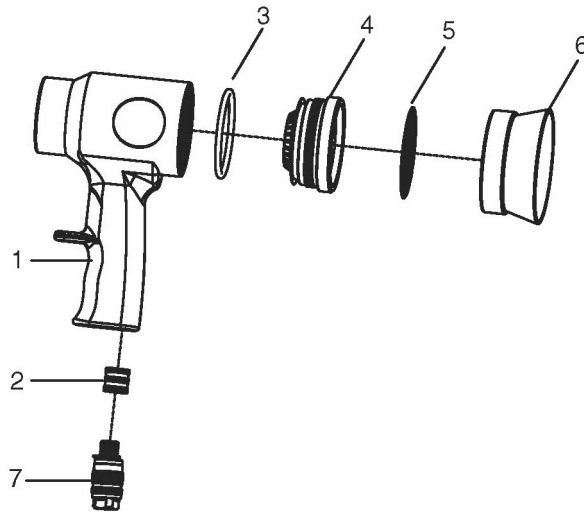
## **ACCESSORIES**

---

A wide range of accessories is available including filter/regulators, lubricators, high-pressure hoses (5 to 50 metres) etc.

Contact your CLARKE dealer for further information or the CLARKE International Service Department.

## COMPONENT PARTS



No	Description
1	Main housing
2	Brass threaded insert
3	Rubber O-ring
4	Airflow diffuser

No	Description
5	Stainless steel filter net
6	Filter net hood
7	Air regulator

## A SELECTION FROM THE VAST RANGE OF

# Clarke®

## QUALITY PRODUCTS



**AIR COMPRESSORS**  
From DIY to industrial, Plus air tools, spray guns and accessories.

**GENERATORS**  
Prime duty or emergency standby for business, home and leisure.

**POWER WASHERS**  
Hot and cold, electric and engine driven - we have what you need

**WELDERS**  
Mig, Arc, Tig and Spot. From DIY to auto/industrial.

**METALWORKING**  
Drills, grinders and saws for DIY and professional use.

**WOODWORKING**  
Saws, sanders, lathes, mortisers and dust extraction.

**HYDRAULICS**  
Cranes, body repair kits, transmission jacks for all types of workshop use.

**WATER PUMPS**  
Submersible, electric and engine driven for DIY, agriculture and industry.

**POWER TOOLS**  
Angle grinders, cordless drill sets, saws and sanders.

**STARTERS/CHARGERS**  
All sizes for car and commercial use.

## PARTS & SERVICE: 0208 988 7400

**Parts Enquiries**  
[Parts@clarkeinternational.com](mailto:Parts@clarkeinternational.com)

**Servicing & Technical Enquiries**  
[Service@clarkeinternational.com](mailto:Service@clarkeinternational.com)

SALES: UK 01992 565333 or Export 00 44 (0)1992 565335

**Clarke** INTERNATIONAL Hemnall Street, Epping, Essex CM16 4LG  
[www.clarkeinternational.com](http://www.clarkeinternational.com)